

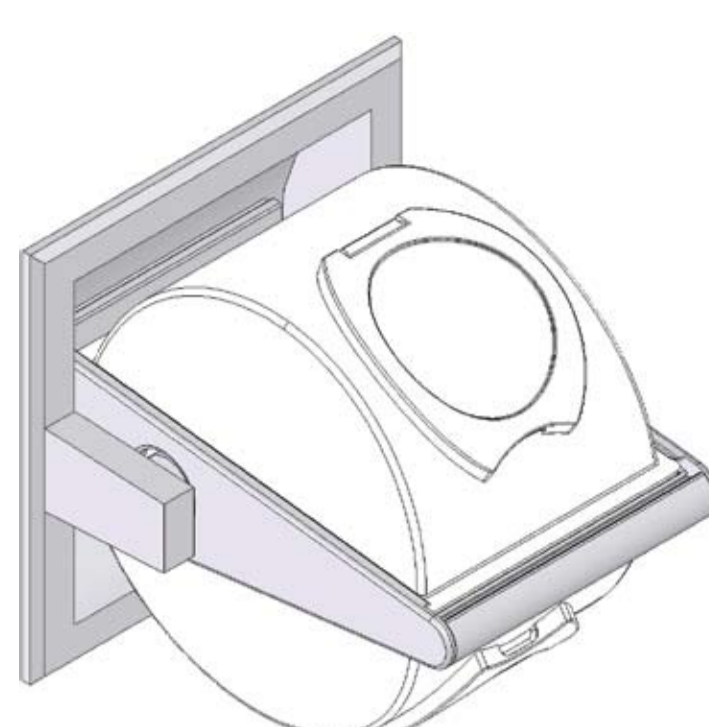


Dist. by NICO INTL.  
130 West 57th st. 2C, New York, NY 10019  
(212) 265-1863

www.nicowetdry.com



THE NEXT STEP IN PERSONAL CARE



## WET AND DRY DISPENSER SYSTEM RETROFIT CONFIGURATION

### Installation Instructions

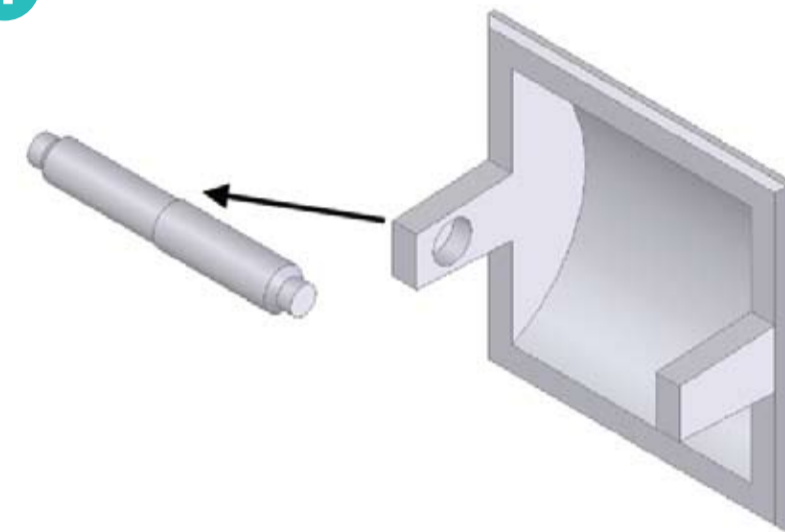
#### PARTS LIST

1x		Dispenser
1x		Short Bracket
1x		Long Bracket
1x		Rod
2x		Hex Bolt (#12-24 x 0.625")
1x		Allen Wrench (Hex Key)

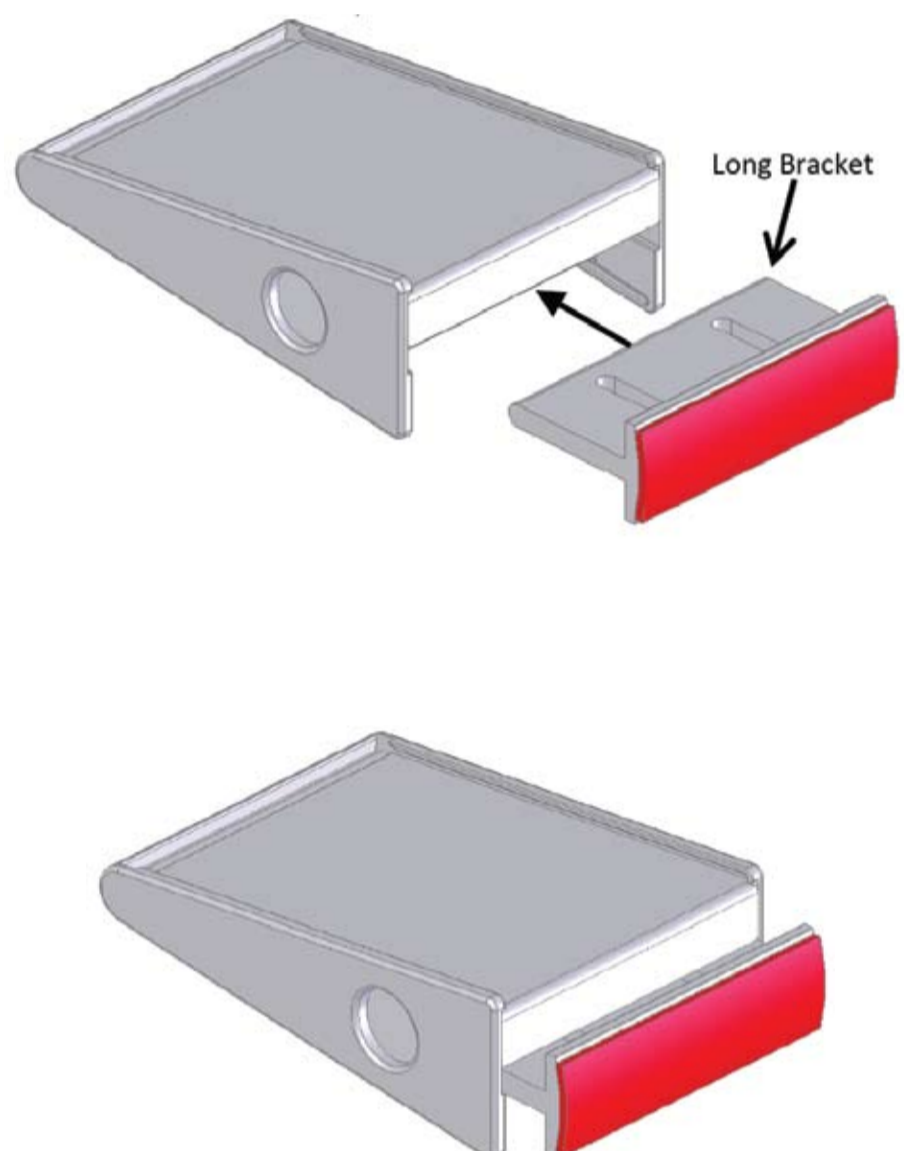
#### Bracket Testing

This system has **2 different-length brackets** to accommodate most existing chambers. **Prior to full assembly, please test the brackets** to determine which length is appropriate. (see instructions below)

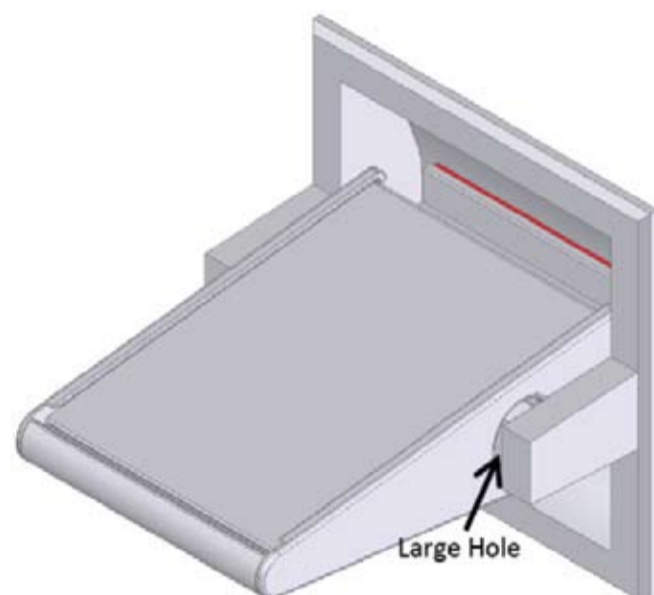
#### 1 Remove Rod.



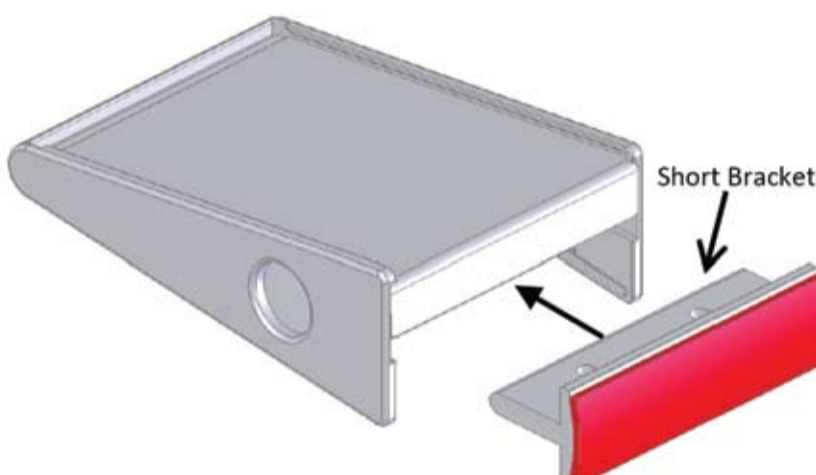
#### 2 Insert Long Bracket into Dispenser.



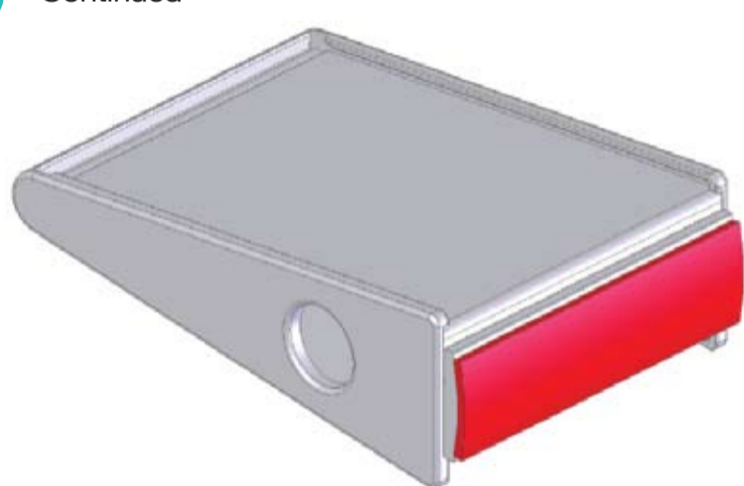
#### 3 Test Long Bracket to see if large holes align with Rod position.



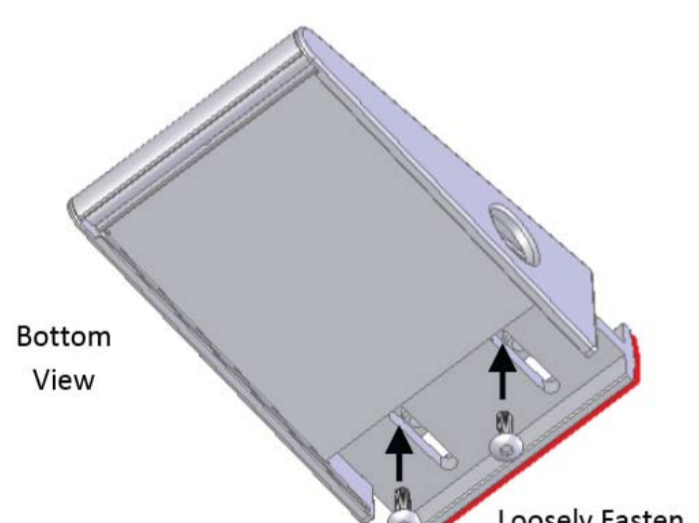
#### 4 If Dispenser does not align with rod position, replace Long Bracket with Short Bracket.



#### 4 Continued



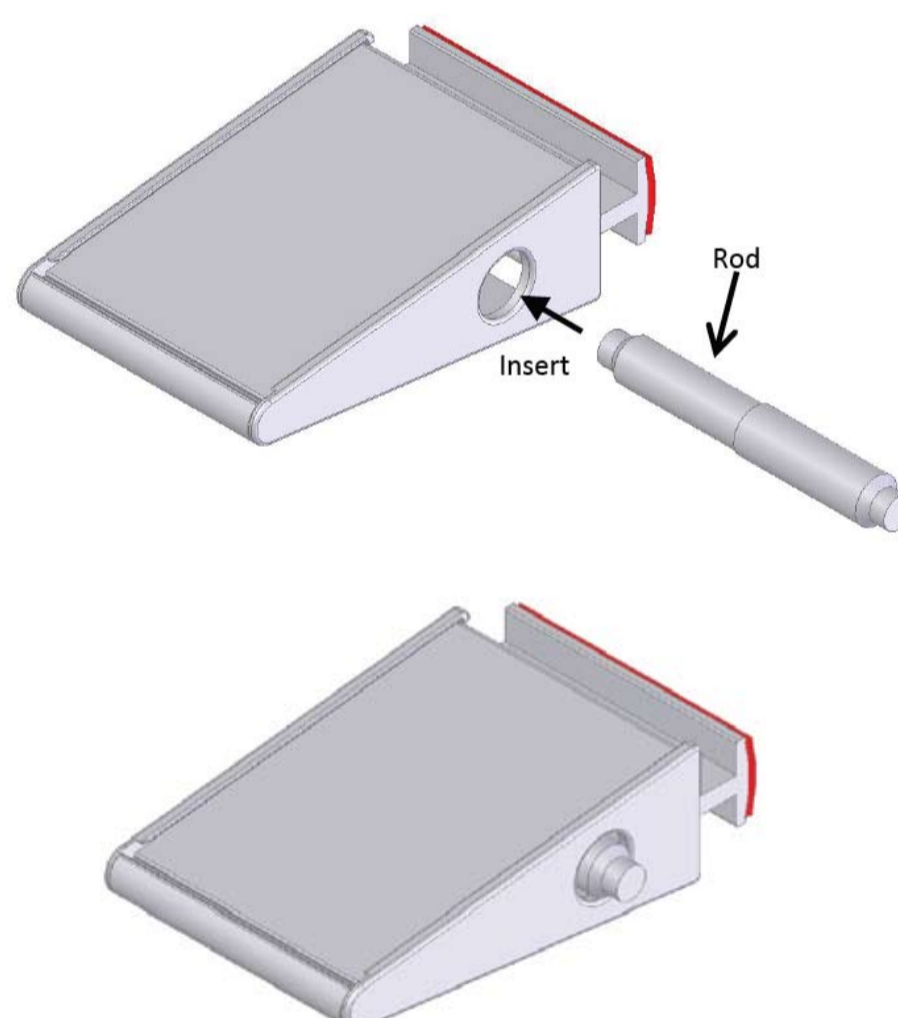
#### 5 Once appropriate bracket is selected, loosely fasten Dispenser to Bracket using 2 supplied Hex Bolts and Allen Wrench (Hex Key).



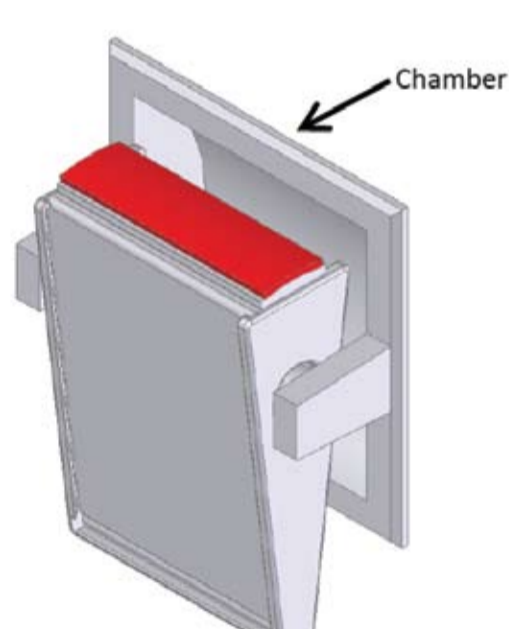
#### Installation Instructions

Once you identify the correct bracket, follow these instructions.

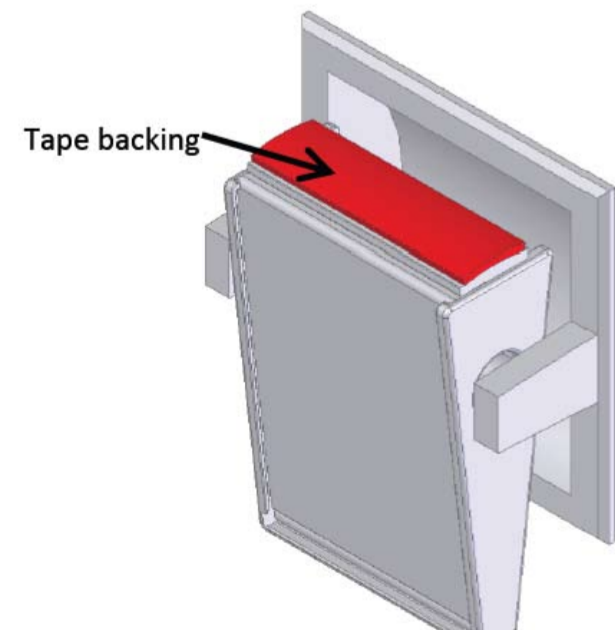
#### 1 Insert Rod into Dispenser.



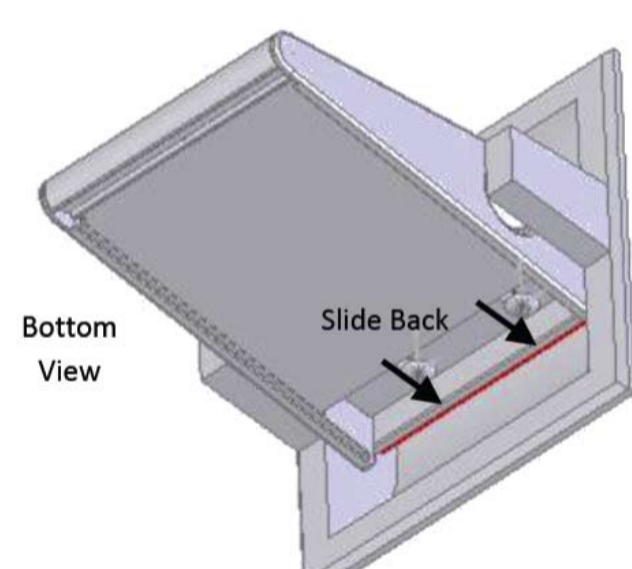
#### 2 Insert Dispenser with Rod into position in Chamber.



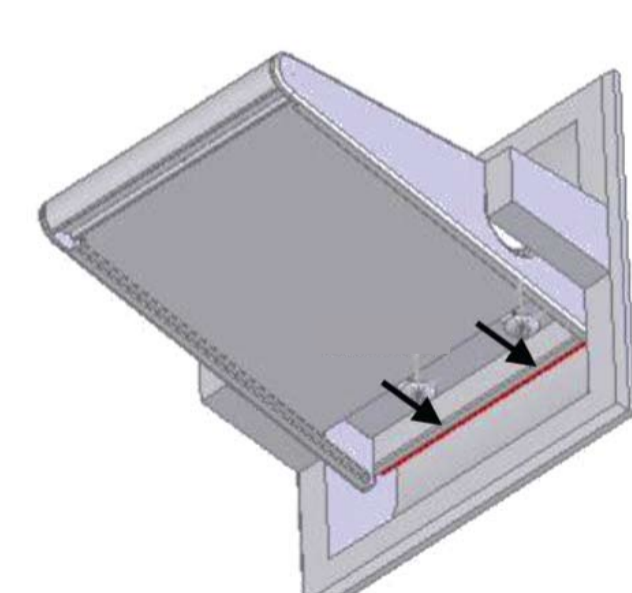
#### 3 Remove Red Tape backing to expose adhesive tape. (WARNING: avoid touching adhesive - powerful bonding)



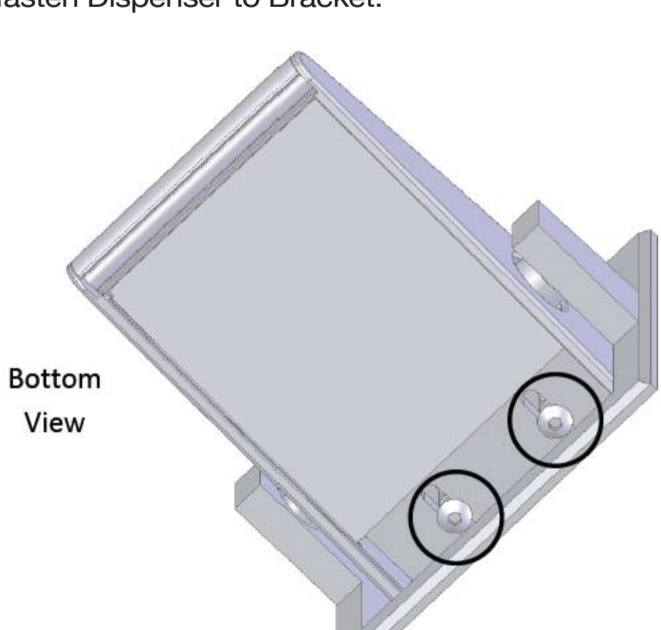
#### 4 Align Dispenser horizontally and push Bracket back against the back of Chamber wall.



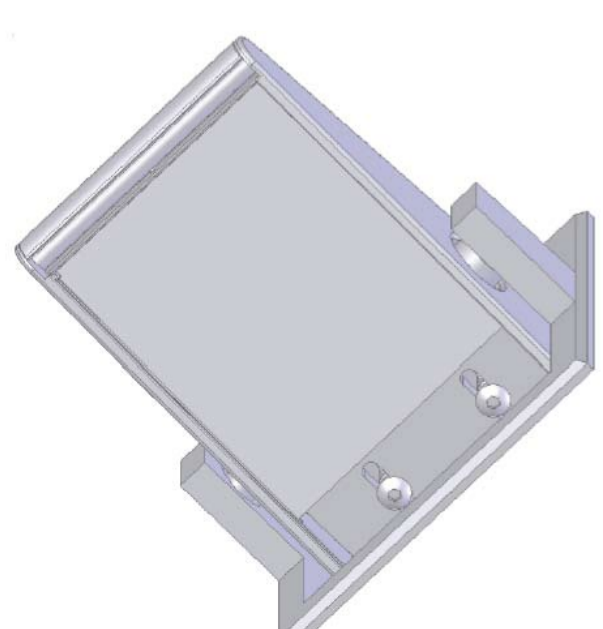
The adhesive tape will bond the Bracket to the Chamber wall. To ensure proper hold, apply approximately 75 lbs of force (75% bonding within 1 hour).



#### 5 Tighten bolts using Allen Wrench (Hex Key) to securely fasten Dispenser to Bracket.



#### 6 Once bolts are securely fastened, Dispenser is ready for use.



#### Instructions for removing 3M VHB™ Tape:

The adhesive residue can be wet with a solvent then covered with a plastic film and allowed to soak for 5-15 minutes. Once the adhesive is softened, use a scraper to remove the adhesive. Solvents to use include:

- 3M™ Citrus Base Cleaner
- MEK (Methyl-Ethyl-Ketone)
- Automotive Bug and Tar remover
- Other commercial adhesive removers

Note: Follow all manufacturer's safety precautions when using solvents. These cleaning recommendations may not be compliant with the requirements of certain Air Quality Management Districts in California; consult applicable rules before use.