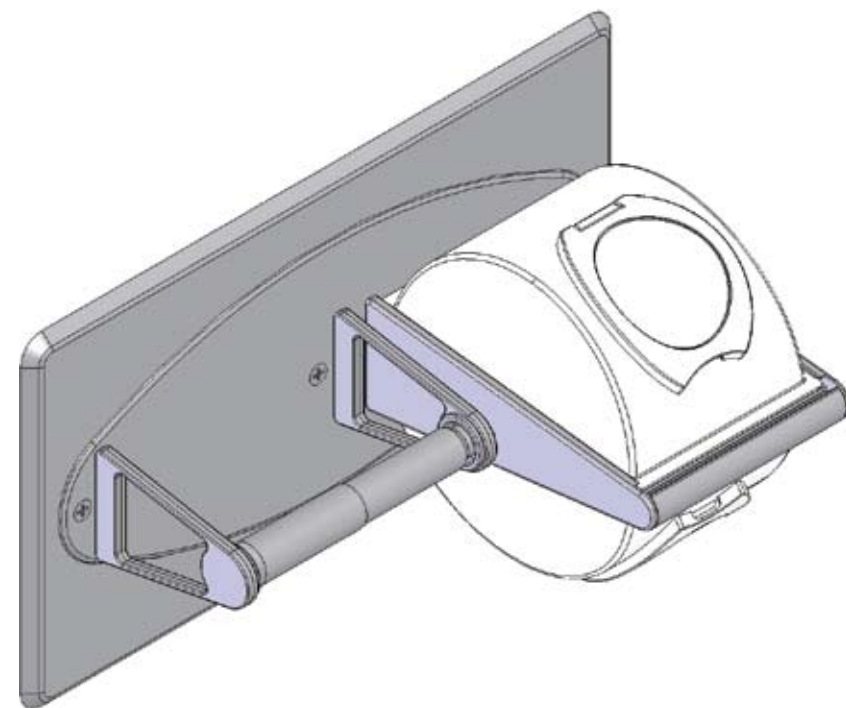




Dist. by NICO INTL.  
130 West 57th st. 2C, New York, NY 10019  
(212) 265-1863

[www.nicowetdry.com](http://www.nicowetdry.com)



WET AND DRY  
DISPENSER SYSTEM  
**HYBRID  
CONFIGURATION**

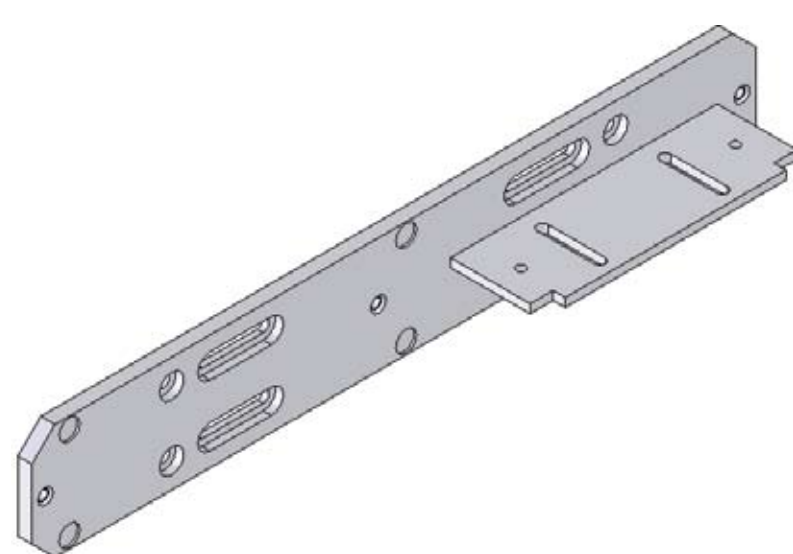
**Installation Instructions**

**PARTS LIST**

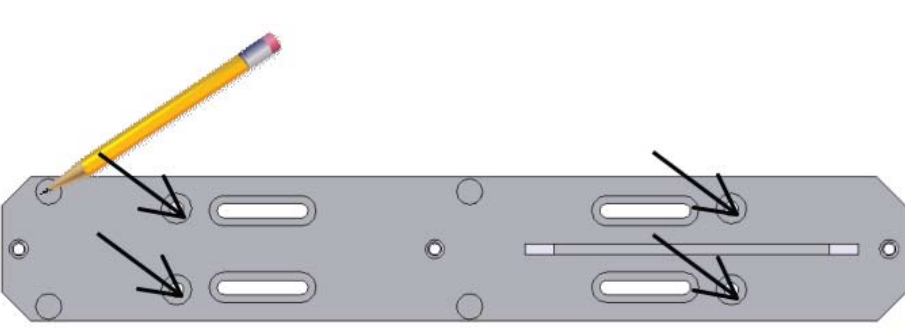
|           |  |                  |
|-----------|--|------------------|
| <b>1x</b> |  | Dispenser        |
| <b>1x</b> |  | Mounting Plate   |
| <b>1x</b> |  | Mounting Bracket |
| <b>2x</b> |  | Rod Holder Arm   |
| <b>1x</b> |  | Rod              |

|           |  |  |
|-----------|--|--|
| <b>2x</b> |  | Hex Bolt (#12-24 x 0.625")                 |
| <b>3x</b> |  | Large Phillips-Head Bolt (#10-32 x 0.313") |
| <b>4x</b> |  | Small Phillips-Head Bolt (#8-32 x 0.313")  |
| <b>8x</b> |  | Short Mounting Screw (#8 x 1")             |
| <b>4x</b> |  | Long Mounting Screw (#8 x 1.375")          |
| <b>8x</b> |  | Plastic Mounting Anchor                    |
| <b>1x</b> |  | Allen Wrench (Hex Key)                     |

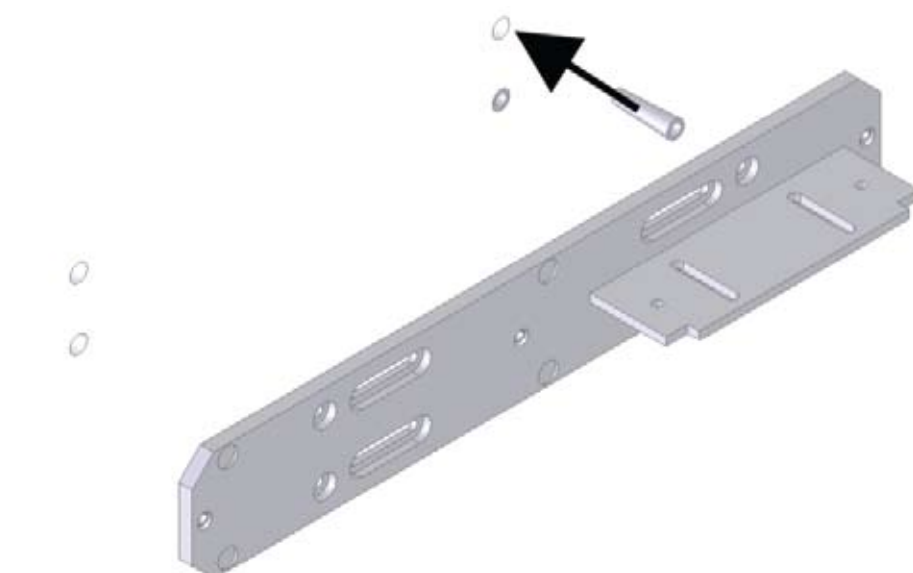
**1** Locate Mounting Bracket and determine where you want to install the Dispenser.



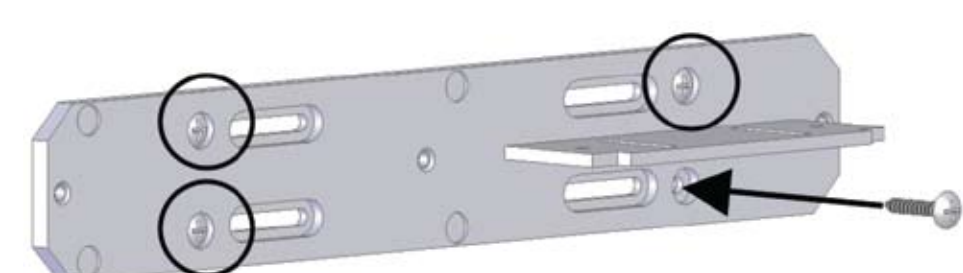
**2** Holding the Mounting Bracket against the wall, make sure that it is level and mark placement points with a pencil.



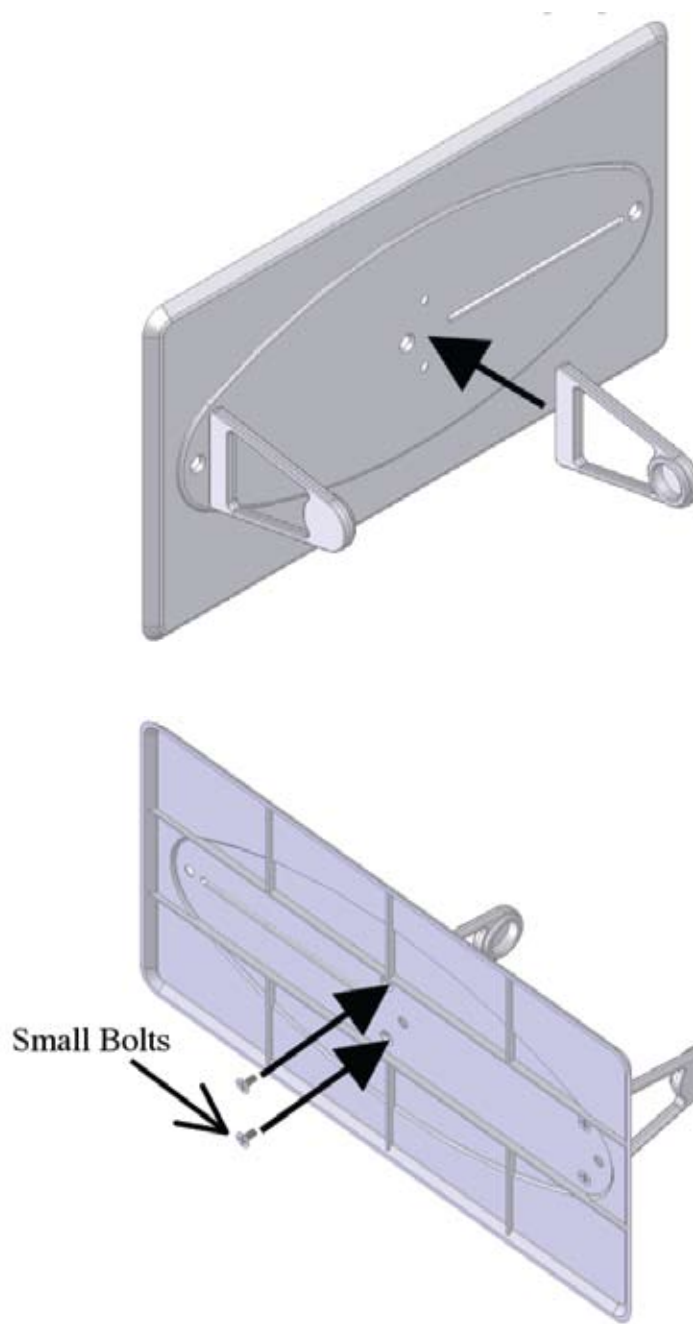
**3** A) If installing unit in granite or marble, drill a hole using a 3/16" bit and Insert Mounting Screw Anchors. Hammer into wall until flush.  
B) If installing unit in sheetrock or drywall, EZ-Anchors are recommended (not included).  
C) If installing unit in wood or plywood, no anchors are needed.



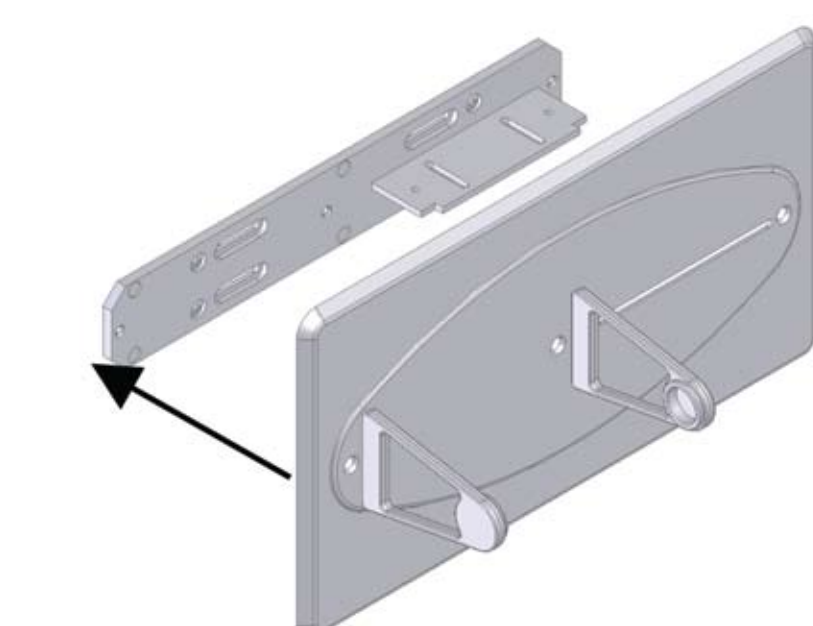
**4** Attach Mounting Bracket to wall. If installing in sheetrock or drywall, use the Long Mounting Screws (1"). Otherwise, use Short Mounting Screws (1").



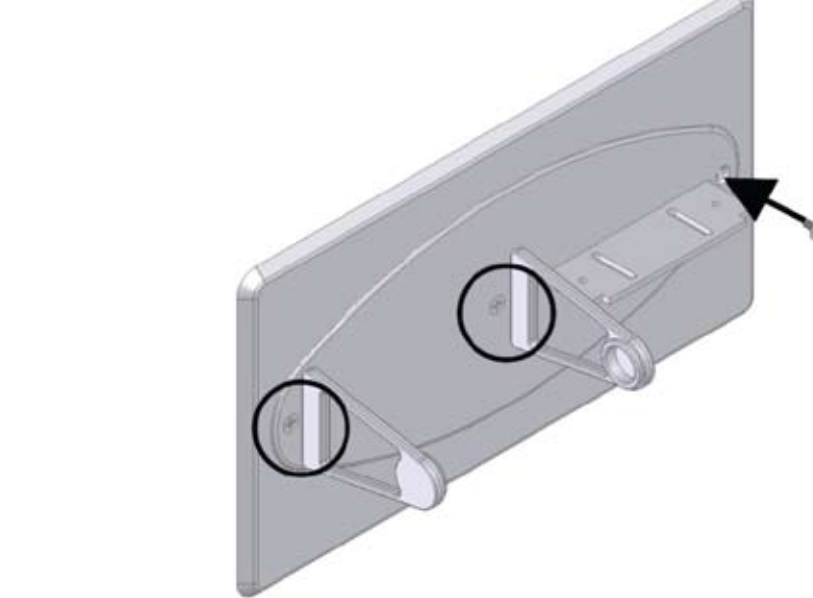
**5** Attach Rod Holder Arms to Back Plate using 4 provided Small Bolts.



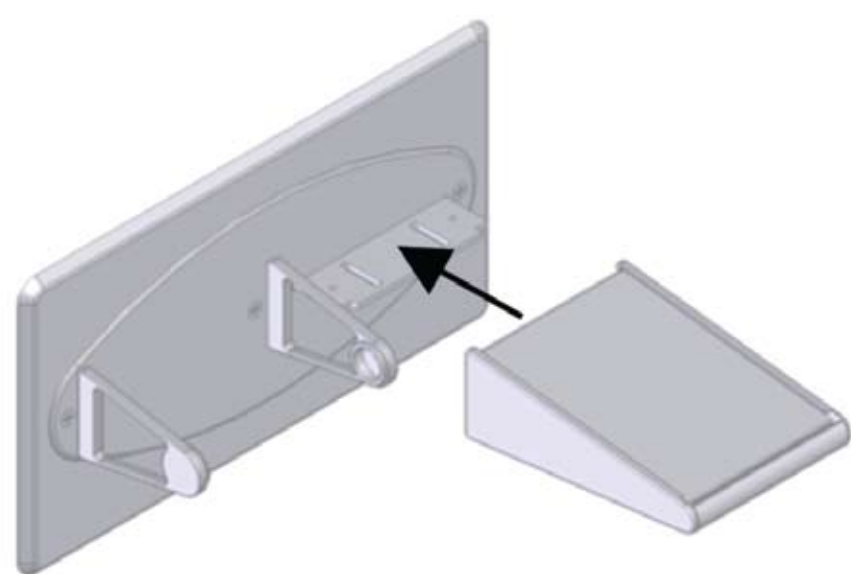
**6** Slide Back Plate onto Mounting Bracket.



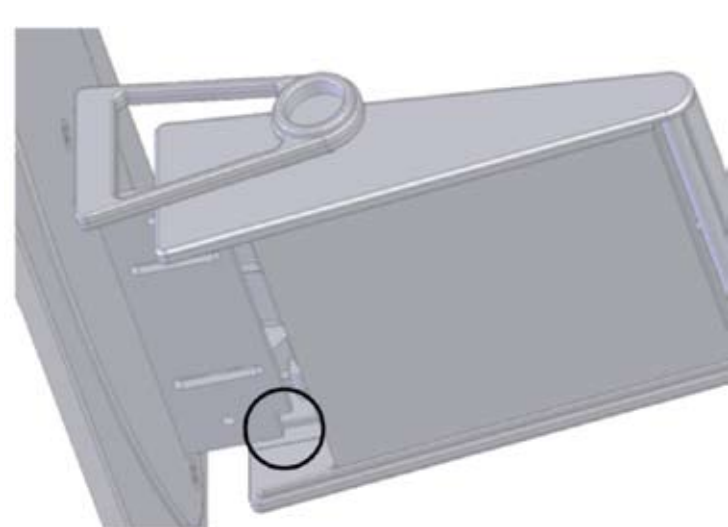
**7** Attach Back Plate using 3 Medium Bolts.



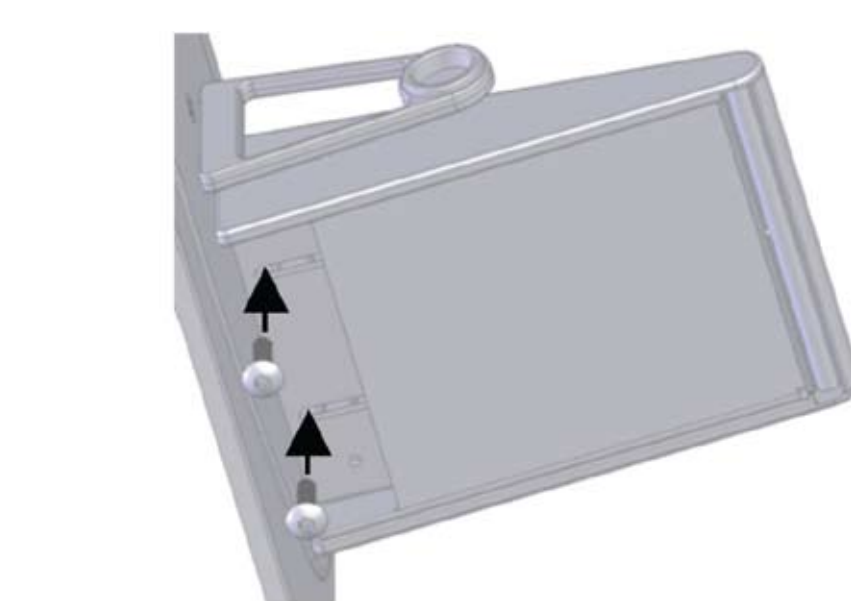
**8** Insert Dispenser onto exposed Mounting Bracket.



Slide Mounting Bracket into slots located on the inside of Dispenser.



**9** Use 2 provided Large Bolts to secure Dispenser to Mounting Bracket.



**10** Tighten Large Bolts using provided Allen Wrench (Hex Key).

