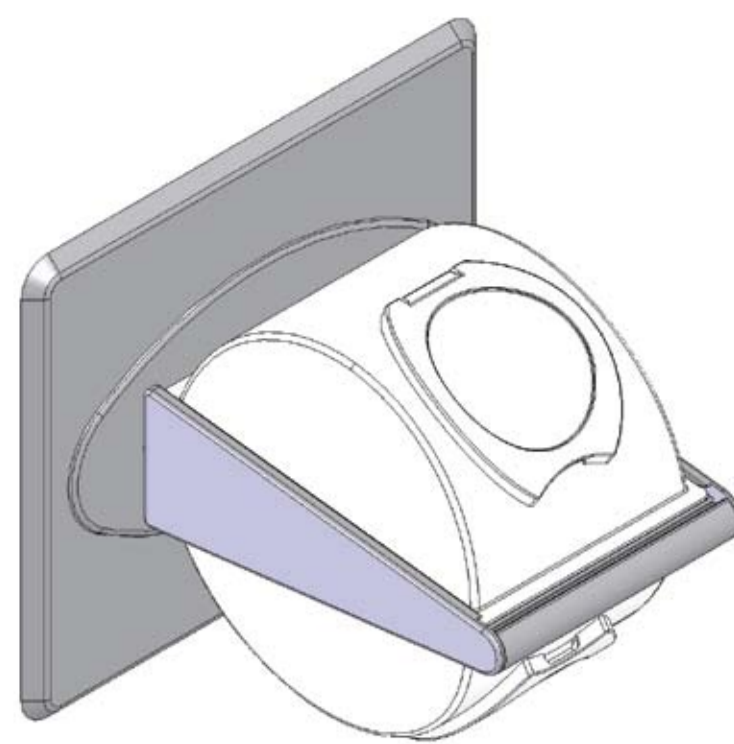




Dist. by NICO INTL.  
130 West 57th st. 2C, New York, NY 10019  
(212) 265-1863

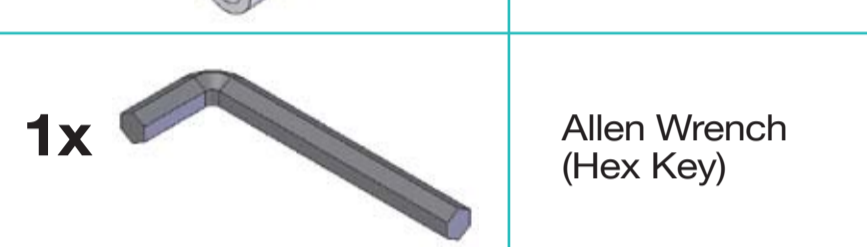
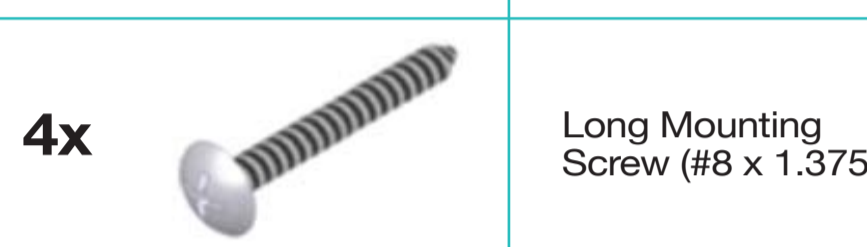
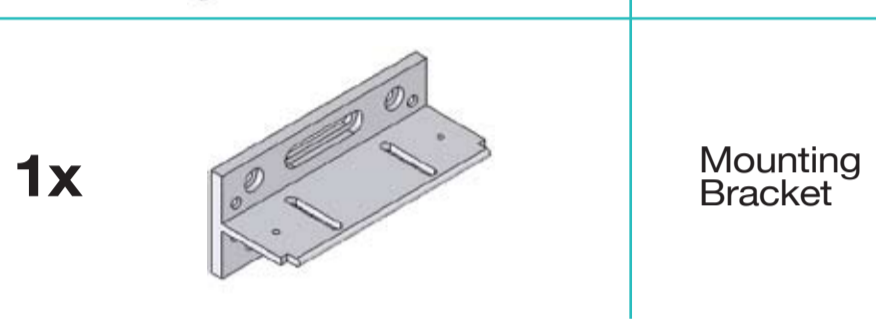
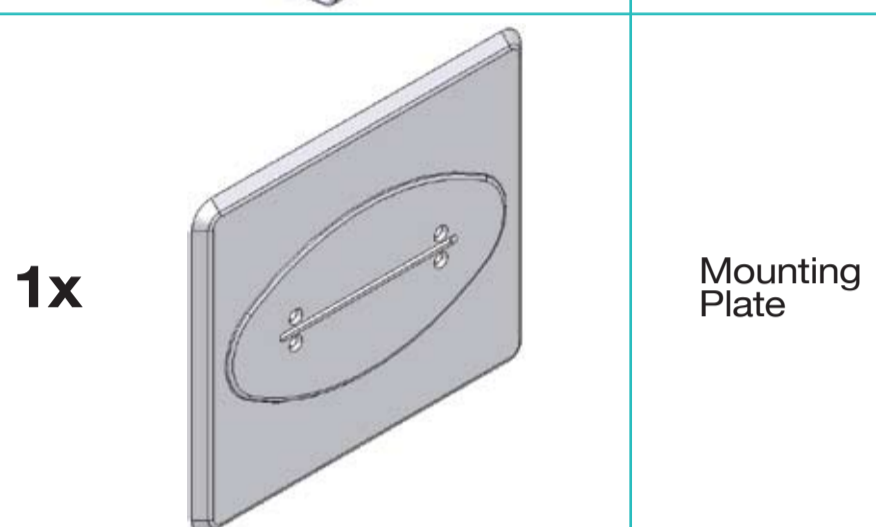
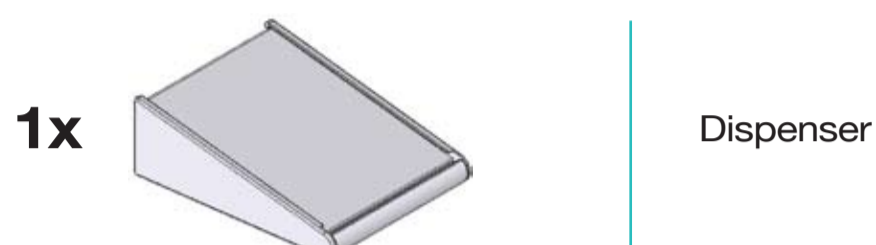
[www.nicowetdry.com](http://www.nicowetdry.com)



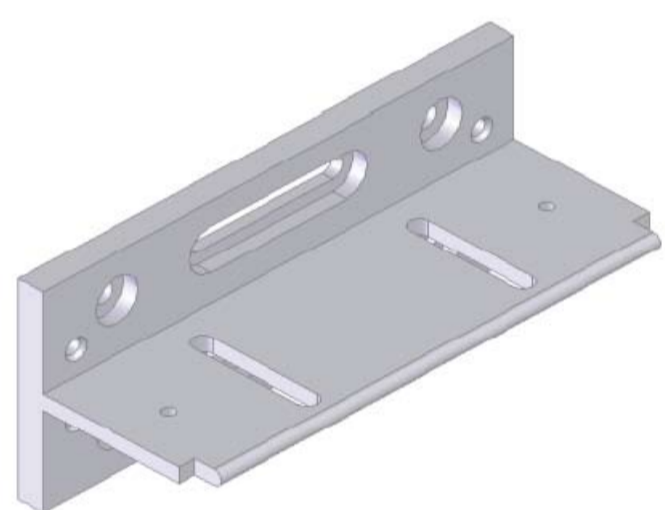
WET AND DRY  
DISPENSER SYSTEM  
**RETROFIT WITH BACKPLATE  
CONFIGURATION**

**Installation Instructions**

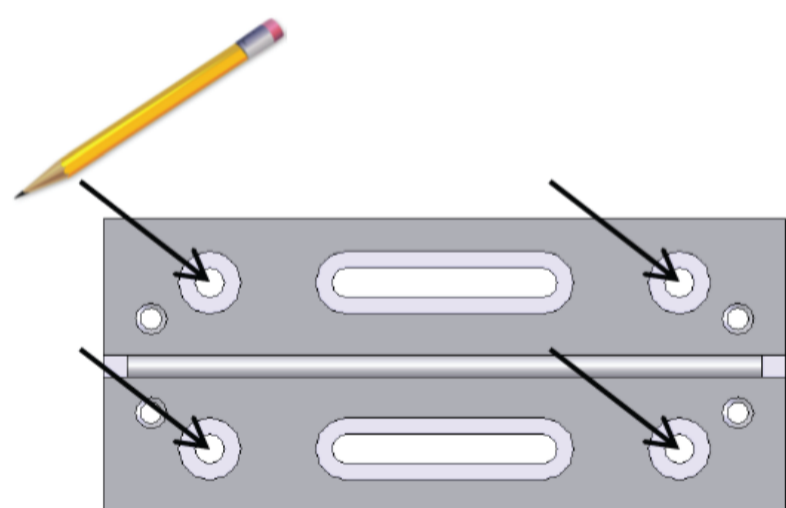
**PARTS LIST**



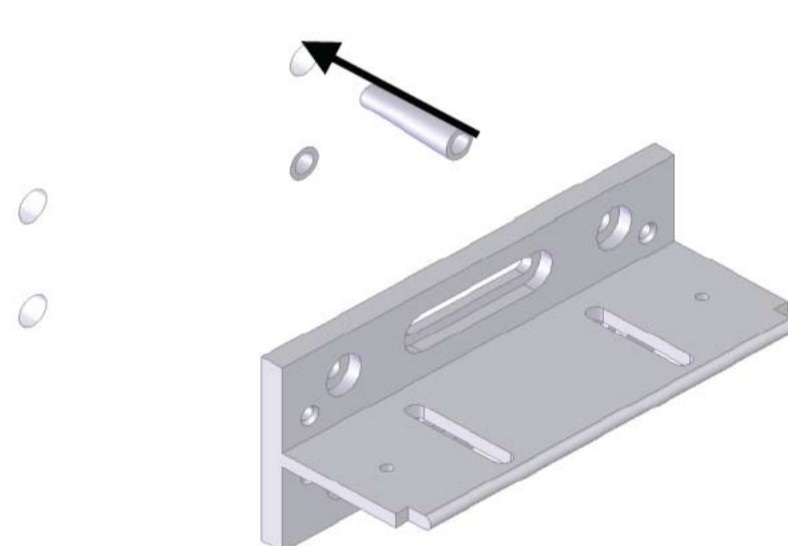
**1** Locate Mounting Bracket and determine where you want to install the Dispenser.



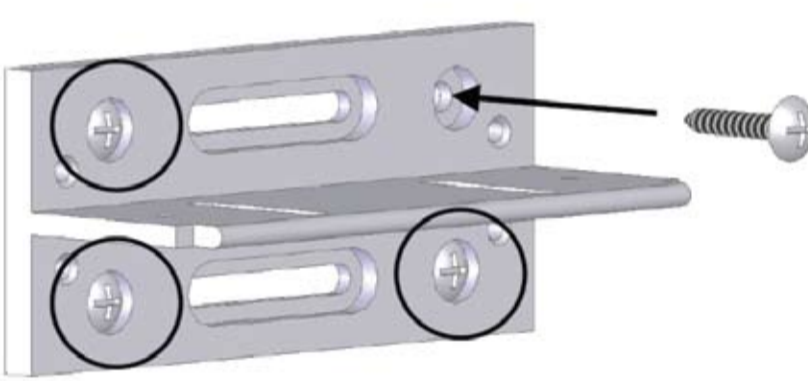
**2** Holding the Mounting Bracket against the wall, make sure that it is level and mark placement points with a pencil.



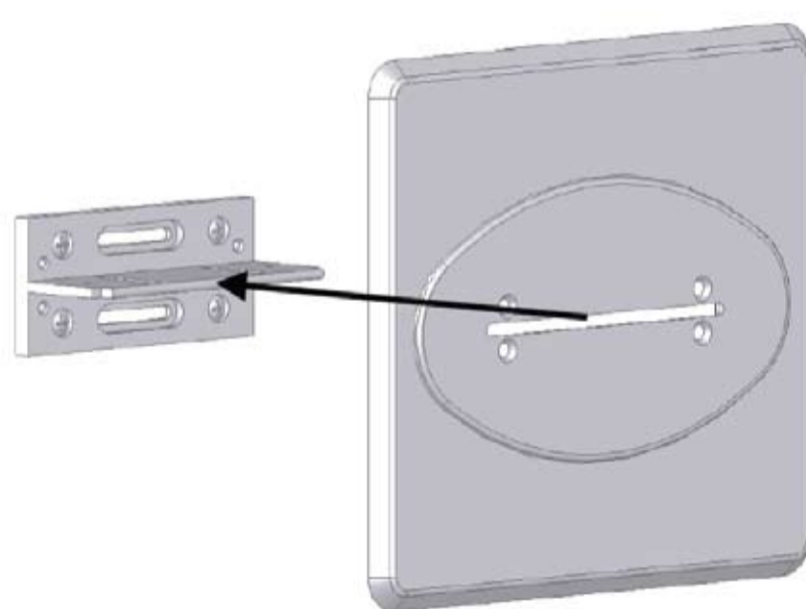
**3** **A)** If installing unit in granite or marble, drill a hole using a 3/16" bit and Insert Mounting Screw Anchors. Hammer into wall until flush.  
**B)** If installing unit in sheetrock or drywall, EZ-Anchors are recommended (not included).  
**C)** If installing unit in wood or plywood, no anchors are needed.



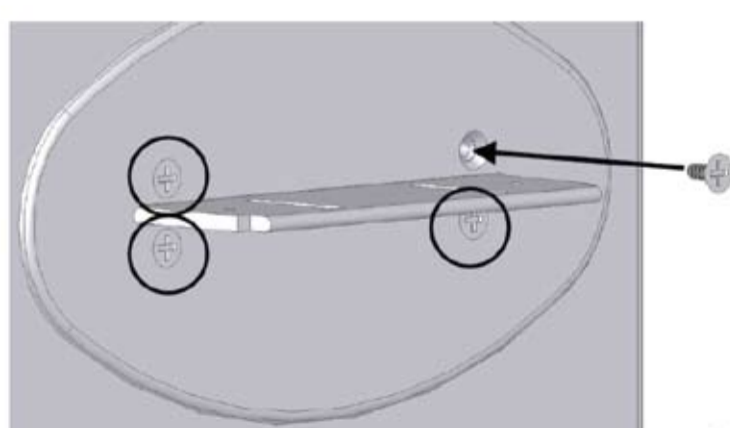
**4** Attach Mounting Bracket to wall. If installing in sheetrock or drywall, use the Long Mounting Screws (1"). Otherwise, use Short Mounting Screws (1").



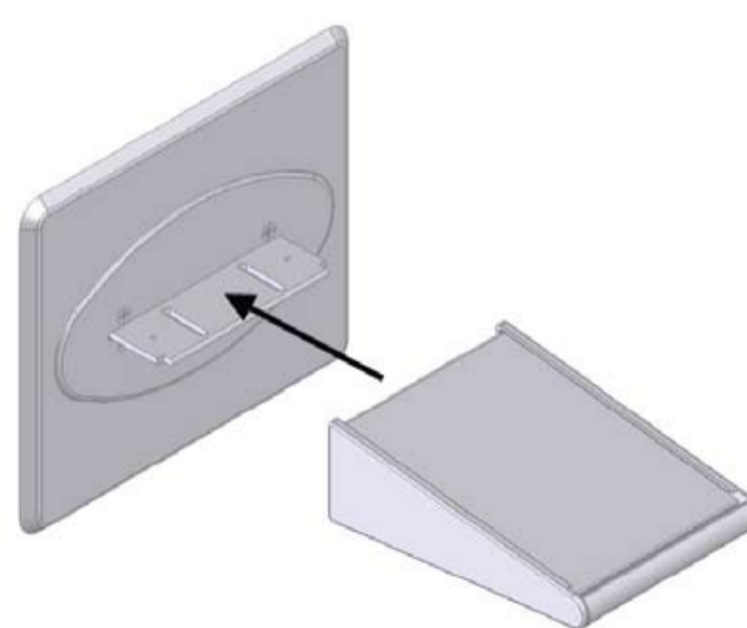
**5** Slide Back Plate onto Mounting Bracket.



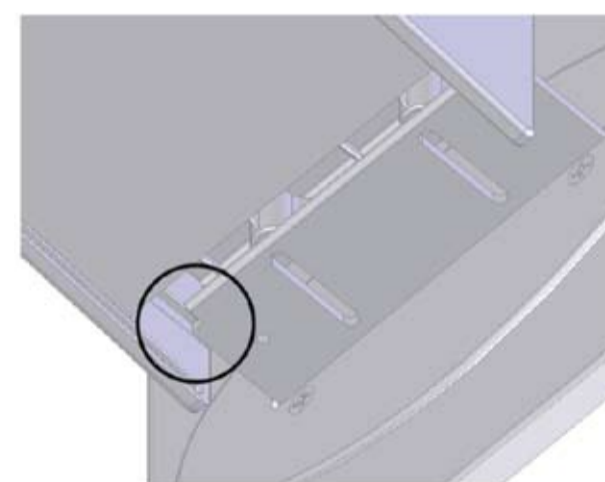
**6** Attach Back Plate using 4 Phillips-Head Bolts.



**7** Insert Dispenser onto exposed Mounting Bracket.



Slide Mounting Bracket into slots on the inside of Dispenser.



**8** Use 2 provided Hex Bolts to secure Dispenser to Mounting Bracket.



**9** Tighten Hex Bolts using provided Allen Wrench (Hex Key).

